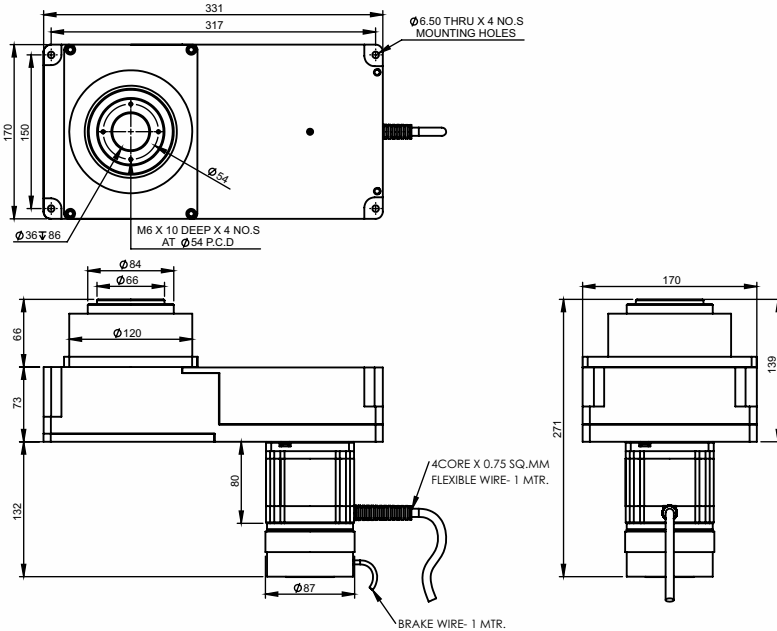


**SPECIFICATION SHEET**  
**Bholanath**

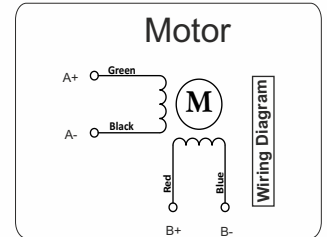
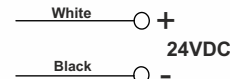
**Rotary Indexing System**  
**BH-RIS-02-C(M)**



Stepper Motor Based Highly Accurate Rotary Indexing System Models- BH-RIS-02 -C Bholanath Rotary Indexing Systems are Used in all Automation Applications, Machine Tools and General Industry Applications Bholanath Manufacture Stepper Motor, Stepper Drives ,Power Supplies & Stepper Drive Controllers That Perfectly Compliment Rotary Indexing Systems.



**BRAKE DETAILS :**  
Torque : 5 Nm  
Voltage : 24 V  
Current at 20°C - 0.83 Amps  
Power Consumption at 20°C : 19.1 Watts



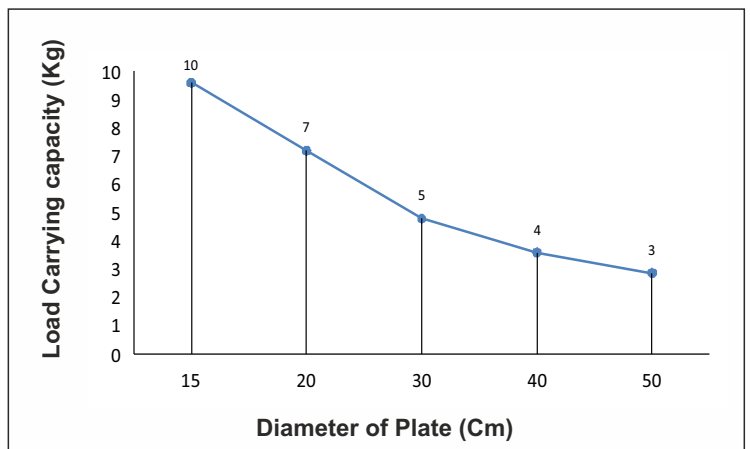
**Indexing Degree :-** 0.6°..3°..30°,45°,60°, 90°...180°...360°...  
{n(3)/1.8} where n is Indexing degree.

Example:-  $n=270^\circ$   
 $= (270 \times 3) / 1.8$   
 $= 450$  (Hence 270° indexing is possible)

**Note:-** Continuous Movement up to 100RPM.

**TECHNICAL DATA**

SPECIFICATION	Model No	BH-RIS-02-C(M)
1	Maximum load carrying capacity(kg)	10
2	Output RPM	0 to 100
3	Gear Ratio of Indexing Table	3:1
4	Positioning Accuracy	$\pm 1$ Degree
5	Degree Of protection	IP 40
6	Total Weight Of Rotary Indexing (KG)	13



**Model No:- BH-RIS-02-C (M)**



**Bholanath Precision Engineering Pvt.Ltd.**

11, Kembros Ind.Estate , Sonapur Lane , Bhandup (W), Mumbai - 400078.

Telefax/Phone : 25662856/25664338/67993260 Email : support@bholanath.in

Mobile No : 9920903825/9821671733/9930514603/9819515543/9323166582.